

SELF-ACTUATING DIFFERENTIAL PRESSURE REDUCING REGULATORS TYPE ZSN5

APPLICATION AREA:

Regulators ZSN5 are used to control preset pressure in process installations connected to regulator valve inlet or outlet. Regulators are applied in heating systems, in industrial processes with cold and hot water, steam, air and non-flammable gases. Using with other media subject to consulting with manufacturer.

DESIGN:

Regulator comprises three, temporary fastened main units: valve (01), actuator (02) and adjuster (03). Regulator valve single-ported with balanced plug. Flanged connections of valve body with valve face as per

PN-EN 1092-1:2006 and PN-EN 1092-2:1999 for PN10; 16; 25; 40
PN-EN 1759-1:2005 for CL150; CL300.

Body length as per:

PN-EN 60534-3-1:2000 – Series 1 for PN10; 16; 25; 40;
Series 37 for CL150; Series 38 for CL300

Diaphragm actuator (diaphragm effective area 160 cm², 320 cm²), with bolted housing.

Control pressure value adjuster with combination of three pre-tensioned springs, fixed coaxially with valve and actuator.



VAIANTS:

By valve leakage class:

- below 0,01% K_{vs} (class IV as per PN-EN 60534-4) - hard seat,
- bubble (class VI as per PN-EN 60534-4) - soft seat - PTFE or VMQ (ECOSIL).

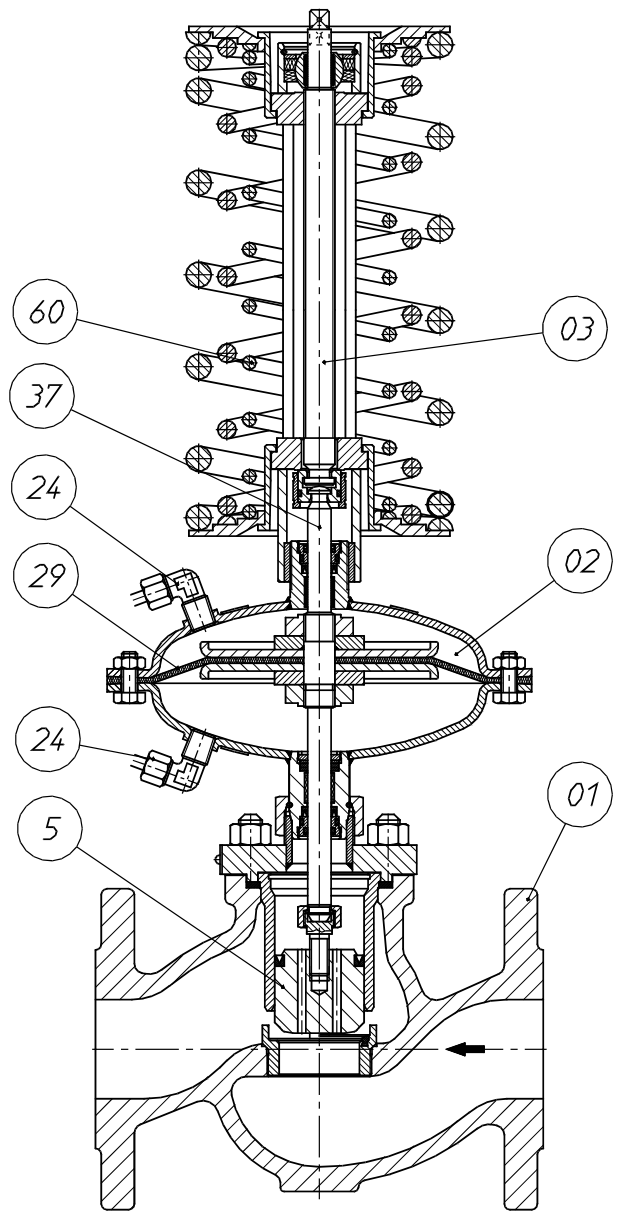
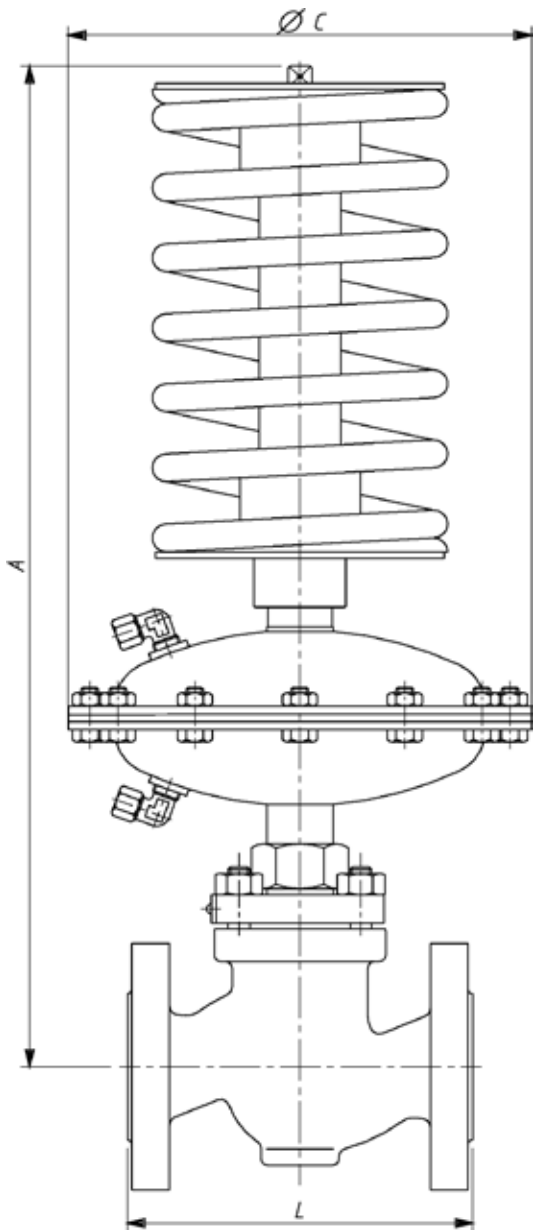
By corrosion-proofness of actuator components:

- standard (ZSN 5.1) - carbon steel with protection coatings,
- special (ZSN 5.2) - stainless steel.

OPERATING PRINCIPLE:

Valve is open when no supply. Impulse of higher pressure is fed via impulse duct through connection (24) and above diaphragm (29) of actuator (02) from adjuster (03) side. Impulse of lower pressure is fed via impulse duct through connection (24) and below diaphragm. Increase in control pressure above preset value, set by tensioning of spring (60) in adjuster (03), causes deflection of diaphragm, movement of actuator stem (37) and closure of valve plug (5) until controlled pressure reaches value preset in adjuster. When regulator is installed on supply of installation, impulse collection points are to be situated downstream regulator valve outlet. When regulator is installed on return of installation, impulse collection points are to be situated upstream valve inlet.

DIMENSIONS AND WEIGHTS



DN	A	L	Valve weight (01)
	[mm]		[kg]
15	470	130	4,0
20		150	5,1
25		160	5,6
32	485	180	8,5
40	490	200	10,6
50	495	230	14
65	605	290	23
80		310	29
100	615	350	44
125	special execution, technical data according to individual inquiries		
150			

Spring range [kPa]	C [mm]	Diaphragm effective area [cm ²]	Weight		
			Actuator (02)	Adjuster (03)	
				DN 15...50	DN 65...100
10...40	282	320	9,1	2,4	2,8
20...80				3,2	3,6
40...160	215	160	4,4	5,0	6,3
80...320					

other spring ranges available on request

TECHNICAL SPECIFICATIONS

DN		15	20	25	32	40	50	65	80	100	125	150		
$K_{vs}^{1)}$ [m ³ /h]	full flow	3,2	5	8	12,5	20	32	50	80	125	technical data according to individual inquiries special execution			
	reduced flow	1 1,6 2,5	1,6 2,5 3,2	2,5 3,2 5	5	8	12,5	20	32	50				
Stroke [mm]		6			8			12		14				
Noise coefficient Z		0,65	0,6	0,55		0,45	0,4		0,35					
Control characteristics		proportional												
Spring range [kPa] ²⁾		10...40;			20...80;		40...160;		80...320					
Maximum pressure in actuator chamber [bar]		20												
Allowed pressure drop in valve [bar]		12						10						
Valve nominal pressure		valve body in grey iron						PN 16						
		valve body in spheroidal iron						PN 16; PN 25; PN 40						
		valve body in carbon steel and stainless steel						PN 16; PN 25; PN 40						
Maximum medium temperature [°C]		steam						200						
		water												
		gases						80						

¹⁾ other flow ratios K_{vs} subject to order specification.

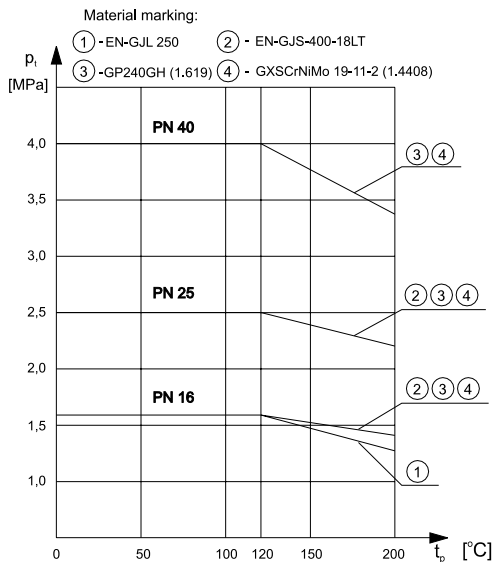
²⁾ other ranges subject to order specification.

MATERIALS as per PN

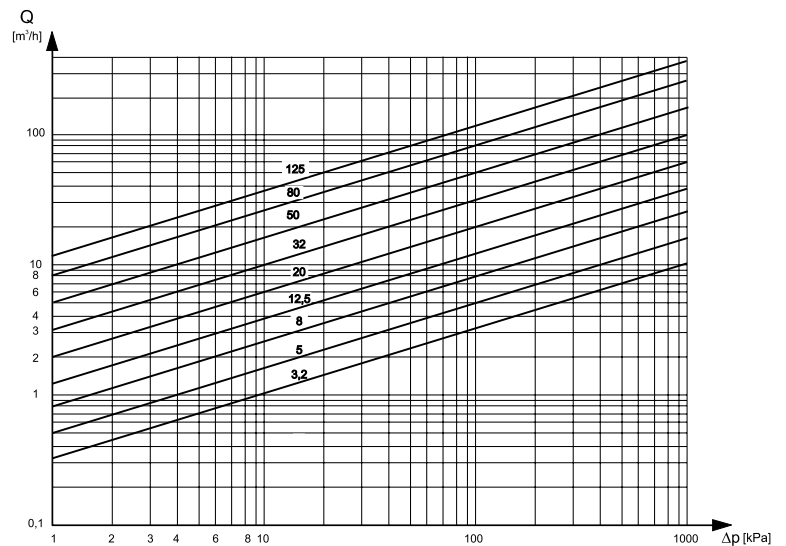
Regulator	ZSN 5.1	ZSN 5.2
	VALVE (01)	
Body	grey iron EN-GJL-250 spheroidal iron EN-GJS-400-178LT carbon steel GP240GH (1.0619) stainless steel GX5CrNiMo 19-11-2 (1.4408)	
Plug and seat	X6CrNiMoTi 17-12-2 (1.4571)	
Guide sleeve		
Packing	EPDM ³⁾	
	ACTUATOR (02)	
Housing	carbon steel S235JRG2C (1.0122)	stainless steel X6CrNiTi 18-10 (1.4541)
Stem	X17CrNi 16-2 (1.4057)	
Diaphragm	EPDM + polyester fabric ³⁾	
Packing	EPDM ³⁾	
	Adjuster (03)	
Adjuster components	carbon steel C45 (1.0503)	
Springs	spring steel 60Si7	

³⁾ other materials, subject to medium type.

NOMINAL PRESSURE, WORKING TEMPERATURE AND WORKING PRESSURE



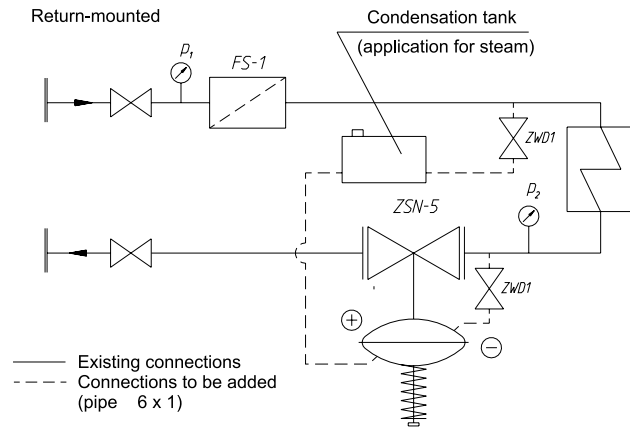
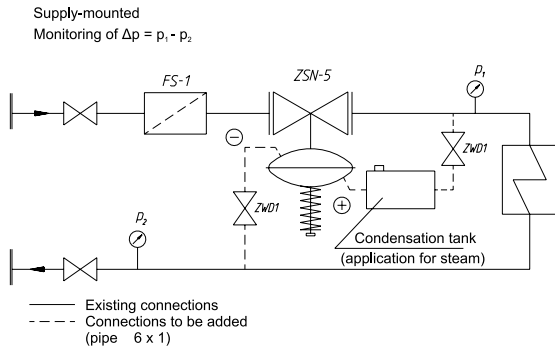
FLOW DIAGRAM FOR WATER



INSTALLATION

Regulator is to be installed on horizontal pipeline. Medium flow direction is to conform to arrow on body. At medium temperature lower than 130°C regulator position is optional, at higher temperatures it is recommended to install regulator with adjuster unit (03) down. To ensure reliable operation apply strainer FS1 upstream and needle valve ZWD 1 at impulse collection point. When applying regulator for steam installation of condensation tank is recommended.

INSTALLATION



ACCESSORIES

Delivered:

- nut and cutting ring for impulse tube,

Optional (ordered separately):

- strainer FS1,
- straight tube connection $\varnothing 6 \times 1$,
- connection stub NPT 1/4"
- impulse tube $\varnothing 6 \times 1$,
- adjustment wrench,
- condensation tank,
- needle valve ZWD 1.

ORDERING

In your order specify type and marking, ZSN 5.1 or ZSN 5.2, DN nominal diameter, PN nominal pressure, flow ratio K_{vs} , body material, spring range, closure type (only for tight execution).

Example of order:

ZSN 5.2 – DN 50; PN 16; Kvs 32; spheroidal iron; 40...160 kPa, tight