



INTENDED USE:

Type DJ10 deioniser is a modern device intended for water treatment by reverse osmosis to produce high-purity water suitable for most laboratory applications. The produced water conforms to the requirements of PN-EN ISO 3696:1999 for water grade I and II, and of Polish Pharmacopoeia X.

CHARACTERISTICS:

The purified water is produced directly from tap water. The water treatment process is managed by a controller with a plain text display. Plain text messages are used to indicate the loss or insufficient pressure of the water supply, spent rough filters, and the UV lamp (which is an optional accessory).

The specific conductance of water produced by the device is 0.05-0.07 $\mu\text{S}/\text{cm}$.

The standard device version includes a reverse osmosis membrane and a rough filter, a settling filter, and an activated carbon filter.

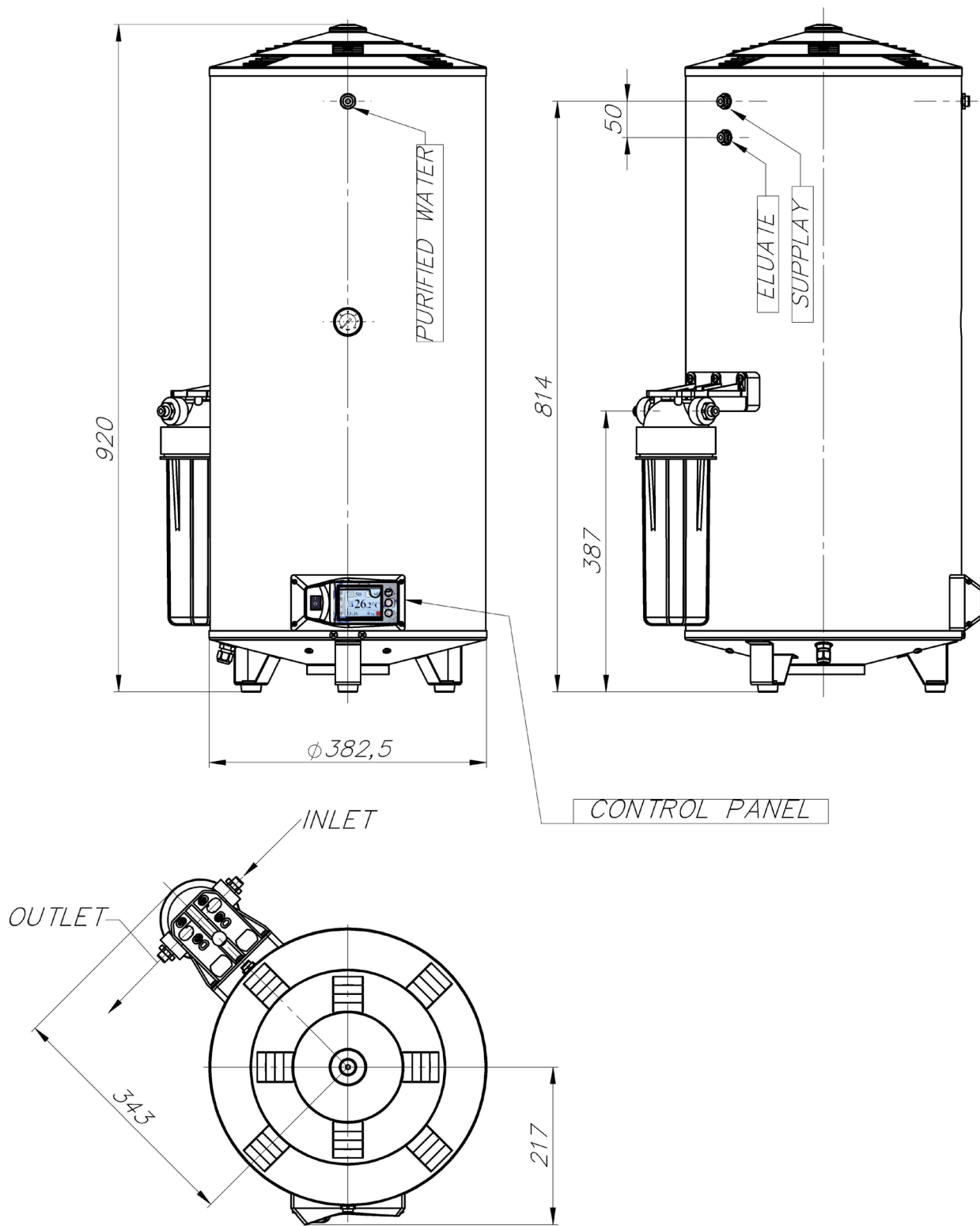
Each device is provided with an internal pressure tank for deionized water with a capacity of 22 dm^3 .

TECHNICAL SPECIFICATIONS

Protection class: I
Output: ref. the table
Supply voltage: 230 V / 50 Hz
Weight: approx. 30 kg



Optional accessories			
Device type	Accessory	Output	Electrical power input
DJ10	microbiological filter	6 dm^3	4 W
DJ10 plus	with pump and microbiological filter	16 dm^3	16 W
DJ10 pro	with pump, UV lamp, and microbiological filter		22 W



Overall dimensions of Type DJ10 water deioniser