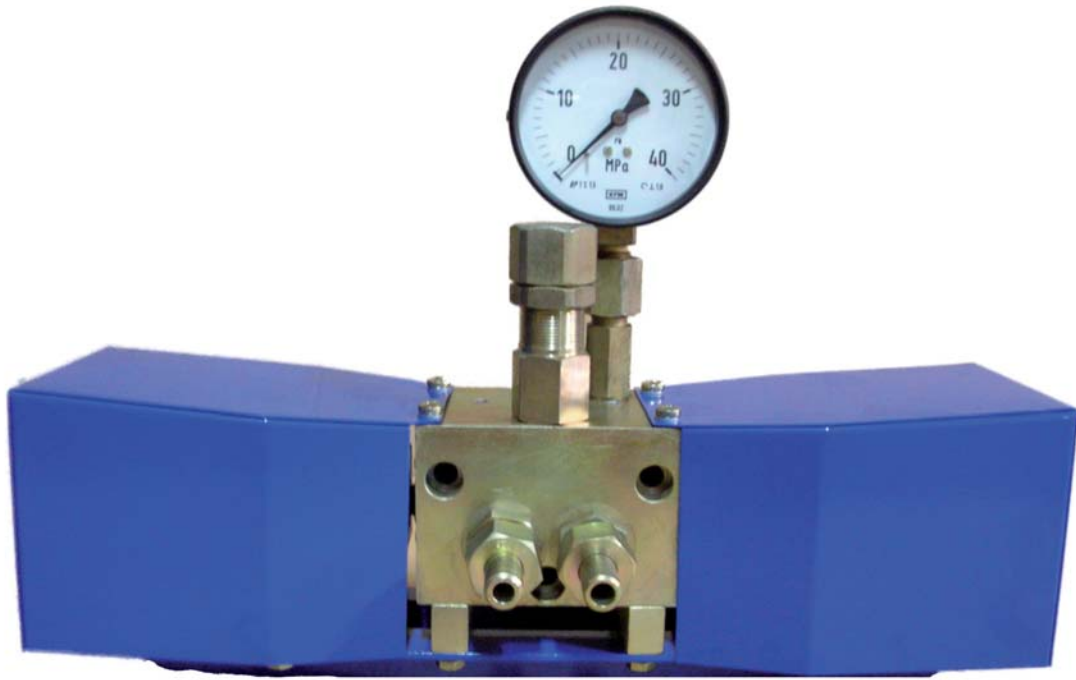
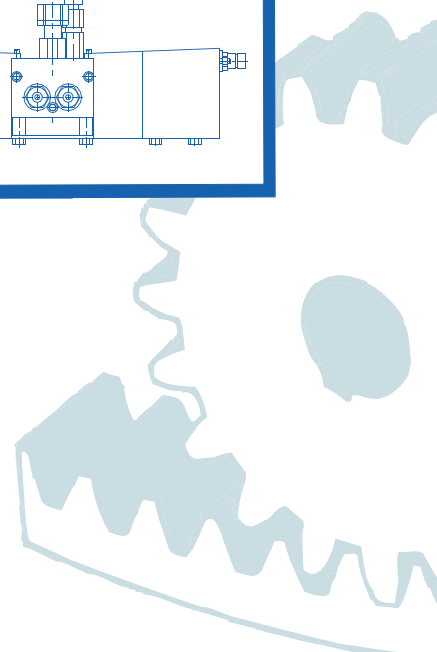
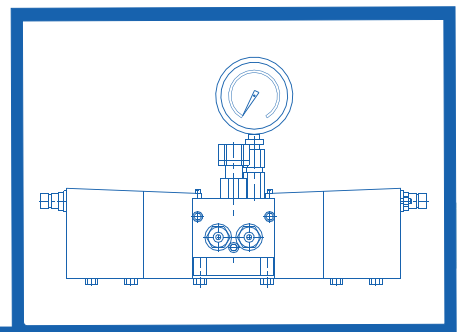


FOUR-WAY ELECTROMAGNETIC DISTRIBUTOR ER Type

Four-way electromagnetic distributor ER



Four-way electromagnetic distributor ER



Application

The distributor is designed to alter direction of the lubricant flow in the two-way central lubrication system. It is used in a lubrication system (close to a pump) where the pump has no distributor.

Construction and operation

The distributor consists of the following assemblies and elements:

- slide distributor fitted with an overflow valve and a manometer with a pulsation muffler,
- two electromagnets whose armatures are connected with the distributor slide and core housings with the distributor body – with brackets,
- mounting plate connected with the distributor body,
- four straight switches for connecting lines feeding and carrying the lubricant off.

Depending on the position of control elements in the distributor, the lubricant is directed to one of the two main lubrication conduit lines (Fig. 1) and then to the dosing distributors (feeders). While one of the lines is being fed with lubricant, the other is connected to the tank. After the distributors feed the lubricant to the reception points and the lubricant pressure increases up to the preset value, voltage is applied to the electromagnet coil and the distributor is reset. When the slide moves from one extreme position to the other, the lubricant is directed to the other line of the main conduit and at the same time the first line is connected to the tank. After each lubrication cycle finishes, the distributor operation repeats analogically.

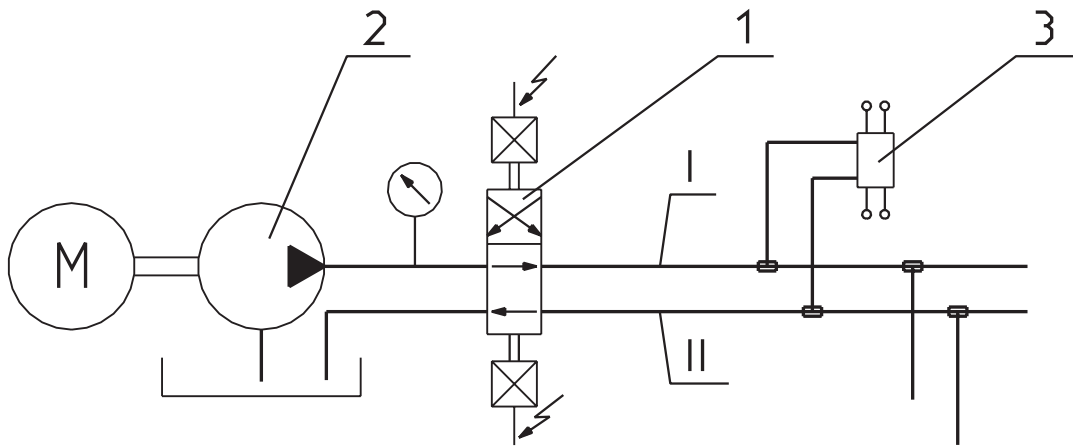


Fig. 1 Scheme of a lubrication system with the electromagnetic distributor
1 - Distributor, 2 – Pump, 3 – Feeders, I – II – lubrication main conduit lines

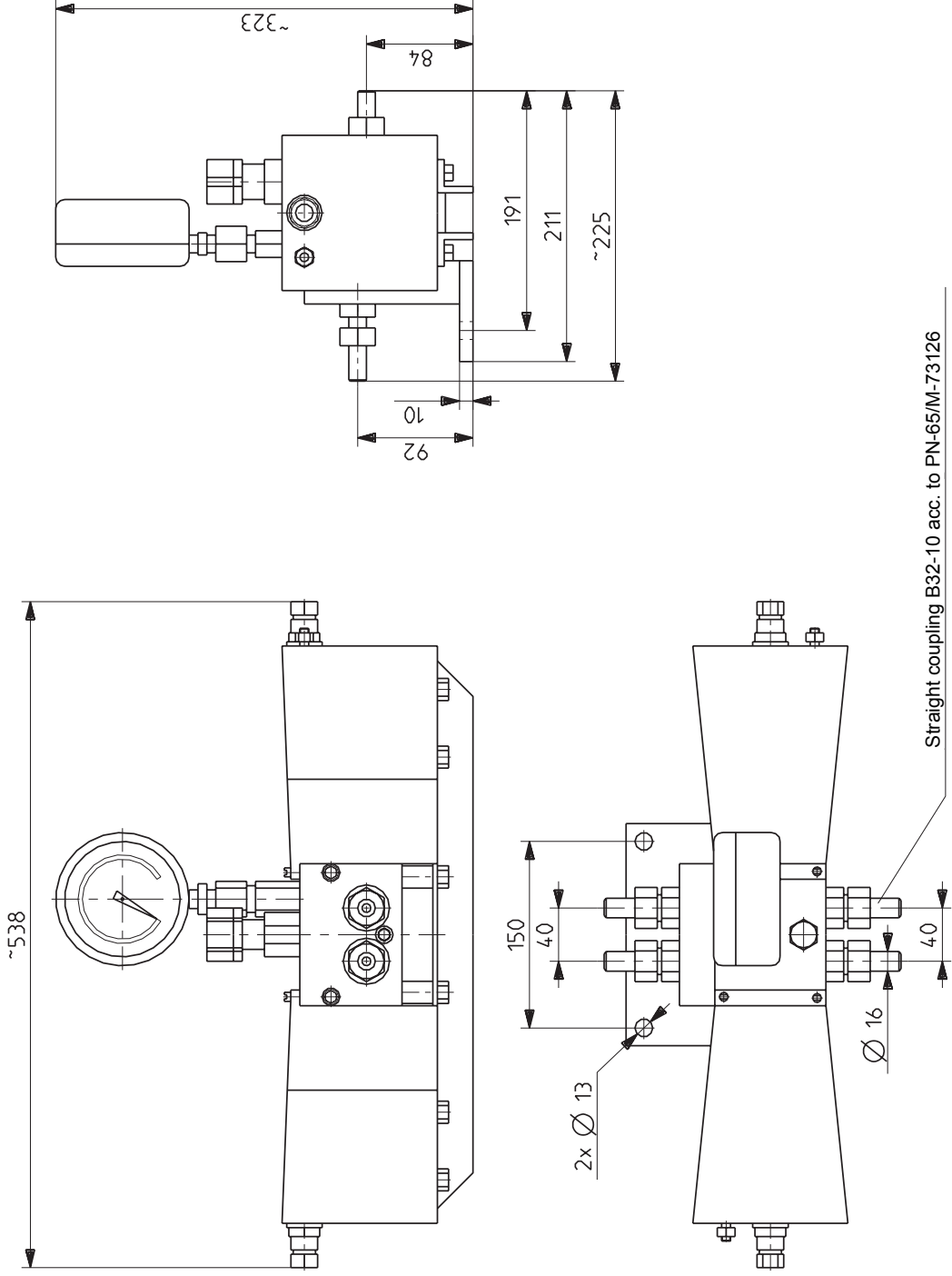
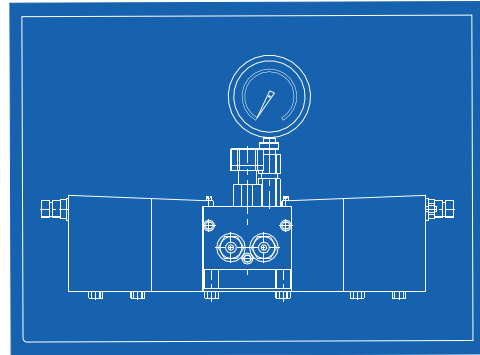


Fig. 2 Overall and linkage dimensions of the ER distributor

Technical details



Maximum flow rate	approx. 1 dm ³ /min.
Nominal pressure	20 MPa or 32 MPa
Time of resetting	approx. 0,5 s
Starting/holding power	3500/270 VA
Rated voltage at 50 Hz	400 V or 500 V
Ambient temperature	-10 ... 60°C
Weight	25 kg
Overall and linkage dimensions	acc. to Fig. 2

2

Executions and symbols

The electromagnetic distributor, depending on the nominal pressure and rated voltage, is made in four varieties.

Symbol of distributor	Nominal pressure	Rated voltage
ER-1-1	20 MPa	400 V
ER-1-2		500 V
ER-2-1	32 MPa	400 V
ER-2-2		500 V

Examples of symbols

Four-way electromagnetic distributor of nominal pressure 32 MPa and rated voltage 400 V:

Electromagnetic distributor ER-2-1

Manufacturer and Distributor
 Zakłady Automatyki „Polna” S.A.
 37-700 Przemyśl, 23 Obozowa St.
 telephone: +48 16-678-66-01
 fax.: +48 16-678-65-24, +48 16-678-37-10
www.polna.com.pl
 e-mail: marketing@polna.com.pl