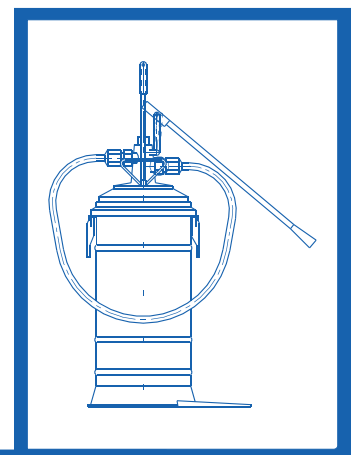


LOADING PUMP PZ 20 Type



Loading pump PZ 20

Loading pump PZ 20

Application

The pump is designed to fill central lubrication pumps (type PR 14 and others) with plastic grease. It may be used to fill other containers with lubrication media as well.

Construction

The filling pump is a piston pump with manual drive and consists of the following assemblies: grease tank with a pressure disk and a handle, drive lever connected with a piston, forcing unit connected with the tank cover; comprising a cylinder, a suction valve and a piston with a piston-type valve, flexible hose connectable to the loading coupling in the tank filled and with a screwed end.

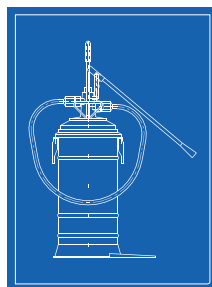
2

Operation

The pump is driven by the lever. The power is transmitted to the piston which makes reciprocating movements. During the suction movement, grease is sucked from the tank to the stroke space in the cylinder. During the piston reciprocating movement, a portion of grease present in the cylinder is forced out through the tank-filling flexible hose. The pressure disk drops while the tank content decreases, which protects the forced grease against air locking and facilitates sucking.

To fill the tank of the loading pump with lubrication material, it is necessary to take the cover off together with the forcing unit.

Technical details



Pump delivery	30 cm ³ /piston stroke
Nominal pressure	1,6 MPa
Tank capacity	12 dm ³
Lubricants forced	plastic grease of the consistence class ≤ 1 acc. to PN-72/C-04095 (NLGI)
Working temperature	-10 ... 60°C
Length of flexible hose	3 m
Pump weight without grease	~17 kg

Placing orders

The order should specify the name and type of the pump.

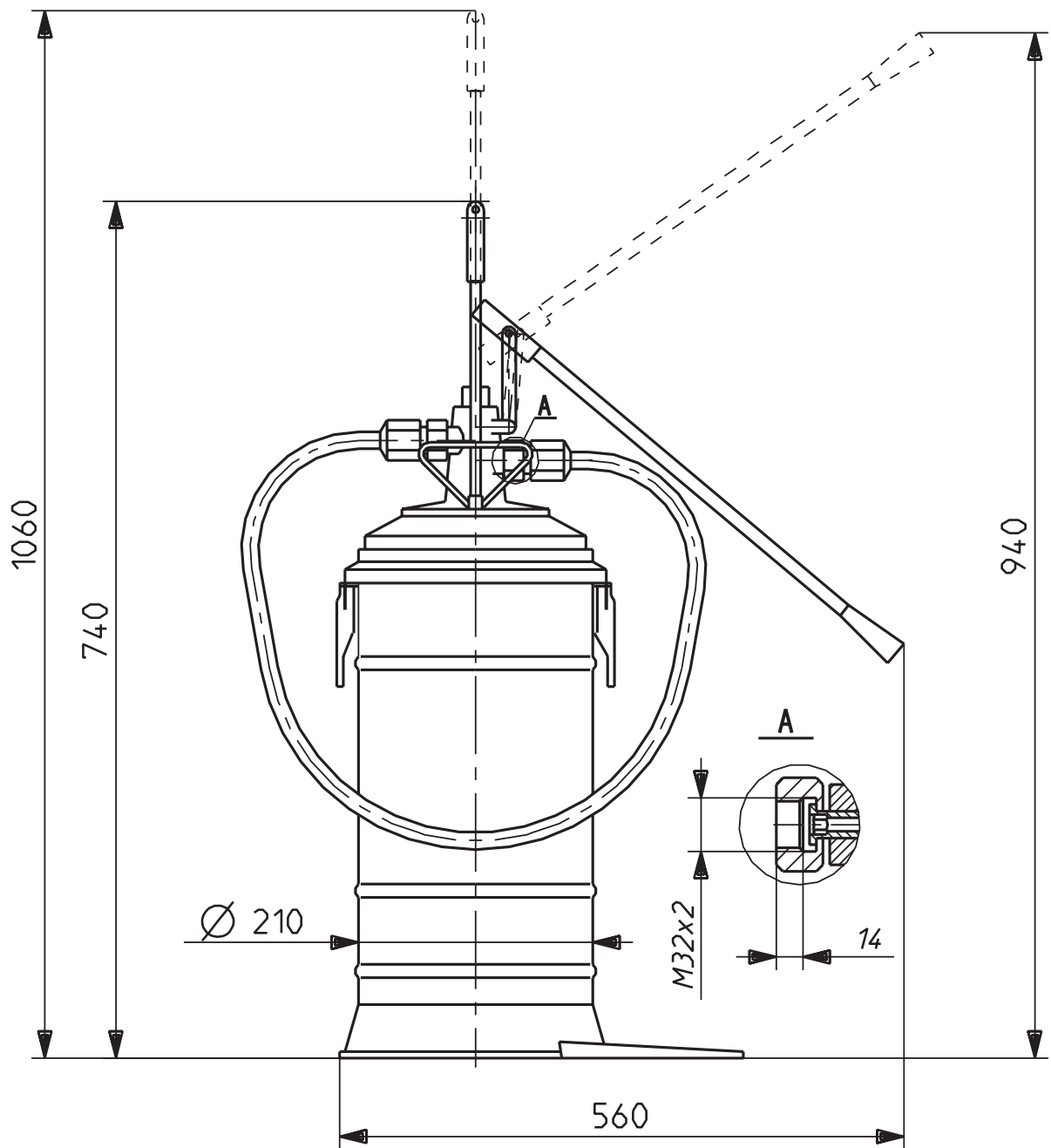


Fig. 1 Dimensions of the pump

Manufacturer and Distributor
 Zakłady Automatyki „Polna” S.A.
 37-700 Przemyśl, 23 Obozowa St.
 telephone: +48 16-678-66-01
 fax.: +48 16-678-65-24, +48 16-678-37-10
 www.polna.com.pl
 e-mail: marketing@polna.com.pl