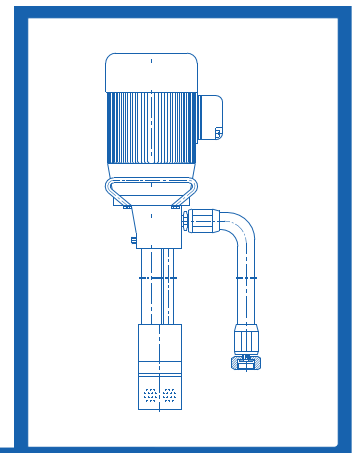


FILLING PUMP PZ 40 Type



Filling pump PZ 40



Filling pump PZ 40



Application

The pump is designed to force oils and plastic grease from barrels or other containers to tanks of central lubrication pumps type PA, PD and others. It may be used to fill other containers with lubrication media as well.

Construction

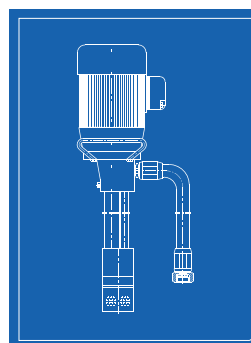
The filling pump is a gear pump driven by an electric motor. The pump consists of the following assemblies: body connected with the forcing assembly motor, clutch, two pipes integrating the forcing unit with the body (one of them is a clutch casing and the other is a forcing line) and a flexible hose with an attachable end.

Locating the forcing assembly at the pipe jib makes it possible to immerse the pump at significant depth, e.g. close to the bottom of the barrel with lubricant.

Operation

The pump gear wheels, receiving power from the engine through the clutch, suck oil or grease through a filtering cover and force it through the holes in the cylinder of the forcing assembly and through the forcing line to the body and then, through a flexible hose to the filled tank.

Technical details



Pump delivery	4 dm ³ /min
Nominal pressure	1,6 MPa
Lubricants forced	oils of ≥ 30 cSt / cSt/50°C viscosity and plastic grease of the consistence class ≤ 1 acc. to PN-72/C-04095 (NLGI)
Engine rated voltage	230/400 V or 500 V , 50 Hz
Power demand	0,75 kW
Ambient temperature	-10 ... 60°C
Length of flexible hose	~3 m
Weight	19 kg

Execution

The pump is manufactured in two executions of different engine rated voltage and is marked as follows:

**PZ 40-1 with an engine of 230/400 V voltage,
PZ 40-2 with an engine of 3 x 500 V voltage.**

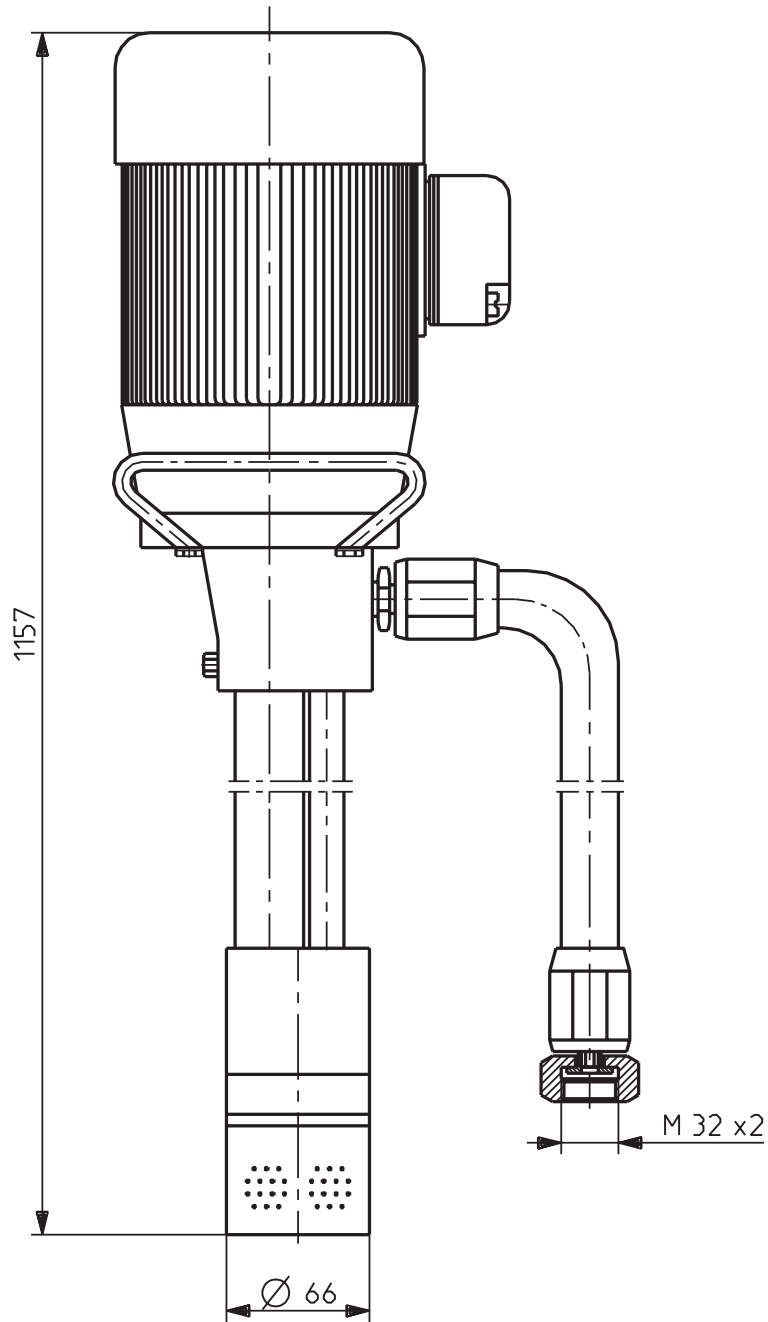


Fig. 1 Dimensions of the pump

Placing orders

The order should specify the name and type of the pump.

Manufacturer and Distributor
 Zakłady Automatyki „Polna” S.A.
 37-700 Przemyśl, 23 Obozowa St.
 telephone: +48 16-678-66-01
 fax.: +48 16-678-65-24, +48 16-678-37-10
www.polna.com.pl
 e-mail: marketing@polna.com.pl