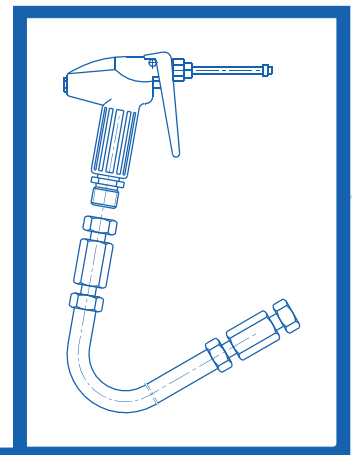


# LUBRICATION GUN WITH FLEXIBLE HOSE SP 10 & WP 10 Type



Lubrication gun SP 10 and flexible hose WP 10



Lubrication gun SP 10 and flexible hose WP 10

## Application

Lubrication gun (connected to the pump outlet by a flexible hose) is designed to feed lubricant to friction nodes which have housings fitted with ball or other lubricating nipples.

## Construction and operation

Lubrication gun consist of a body, cut-off valve built in the body, high pressure nozzle and trigger lever. The flexible hose is a hydraulic hose terminated with two couplings.

The lubricant is fed from the pump to the reception point at the moment the trigger level is applied (the cut-off valve opens).

## Technical details

Maximum flow rate

1 dm<sup>3</sup>/min

Nominal pressure

32 MPa

Gun weight

0,72 kg

Hose length

6...8 running metres

(special execution up to 15 running metres)

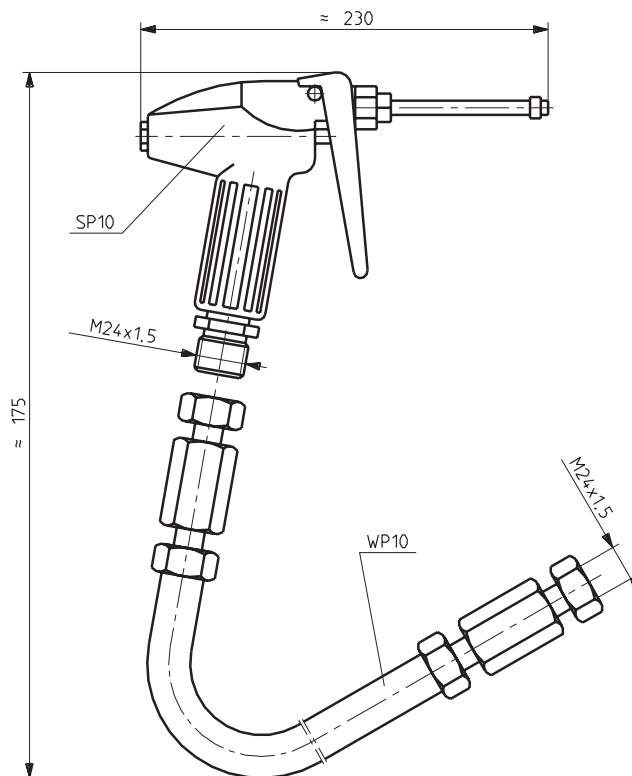
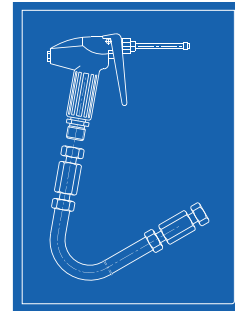


Fig. 1 Overall and linkage dimensions

Manufacturer and Distributor  
 Zakłady Automatyki „Polna” S.A.  
 37-700 Przemyśl, 23 Obozowa St.  
 telephone: +48 16-678-66-01  
 fax.: +48 16-678-65-24, +48 16-678-37-10  
[www.polna.com.pl](http://www.polna.com.pl)  
 e-mail: [marketing@polna.com.pl](mailto:marketing@polna.com.pl)